



2013 Mustang Upper Grille

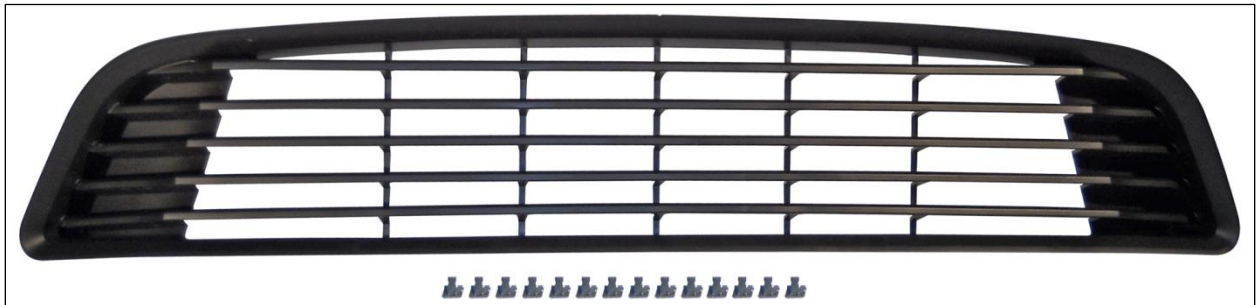
P/N: 421392 (R1313-8202)

Application: 2013 Ford Mustang

2013 Mustang 5.0L with Automatic/Manual Transmission

2013 Mustang 3.7L with Automatic/Manual Transmission

Installation Instructions



Before installing your ROUSH Performance Product(s), read through the entire installation procedure and check to make sure all items are present. Contact ROUSH Customer Service at 1-800-59-ROUSH, weekdays from 9:00 AM to 5:00 PM EST, with any questions regarding fit, missing parts or instructions that are unclear to you.



ROUSH[®]
P E R F O R M A N C E

Description	Part Number	Qty
2013 Mustang Upper Grille Kit	R1313-8202	1
Grille Upper	1313-8202	1
U-Clip	C29019-014	14
Installation Manual	1313-8202IM	1

EQUIPMENT AND SUPPLIES REQUIRED

- Ratchet
- 7 mm Metric Socket
- Safety Glasses
- 8 mm Metric Socket



LIMIT OF LIABILITY STATEMENT

The information contained in this publication was accurate and in effect at the time the publication was approved for printing and is subject to change without notice or liability. ROUSH Performance Products (RPP) reserves the right to revise the information presented herein or to discontinue the production of parts described at any time.

SAFETY REQUIREMENTS

STOP! READ IMPORTANT SAFETY CAUTIONS AND WARNINGS BEFORE PROCEEDING.

IMPORTANT SAFETY NOTICE

Appropriate disassembly, assembly methods and procedures are essential to ensure the personal safety of the individual performing the kit installation. Improper installation due to the failure to correctly follow these instructions could cause personal injury or death. Read each step of the installation manual carefully before starting the actual installation.

- Always wear safety glasses for eye protection.
- Place ignition switch in the OFF position.
- Always apply the parking brake when working on a vehicle.
- Chock the front and rear tires to prevent unexpected vehicle movement.
- If working without a lift, always consult vehicle manual for correct lifting specifications.
- Operate the engine only in well-ventilated areas to avoid exposure to carbon monoxide.
- Do not smoke or use flammable items near or around the fuel system.
- Use chemicals and cleaners in well-ventilated areas.
- Batteries produce explosive gases, which can cause personal injury. Therefore, do not allow flames, sparks or flammable substances to come near the battery.
- Keep hands and any other objects away from the radiator fan blades.



- Keep yourself and your clothing away from moving parts when the engine is running.
- Do not wear loose clothing or jewelry that can get caught in rotating parts or scratch surface finishes.
- Allow the engine, cooling system, brakes and exhaust to cool before working on a vehicle.

WORK SAFELY!

Perform this installation on a good clean level surface for maximum safety and with the engine turned off.

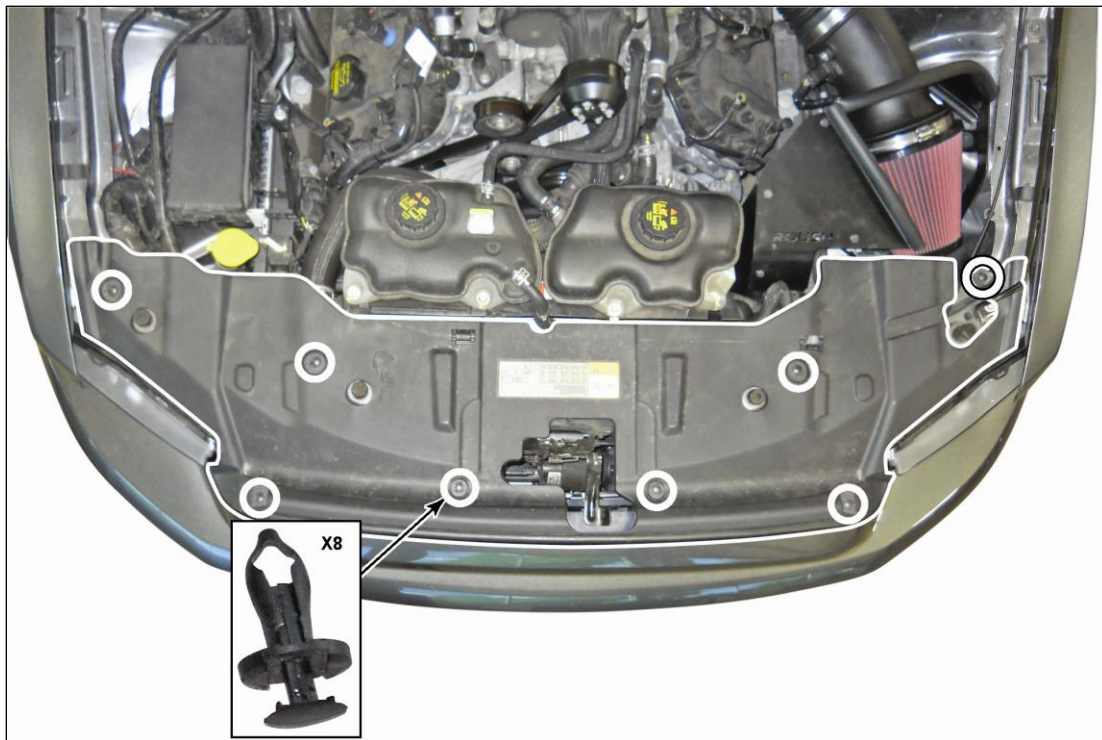


ROUSH
P E R F O R M A N C E

SECTION A – Removal

The following section will guide you through the removal of the factory upper grille.

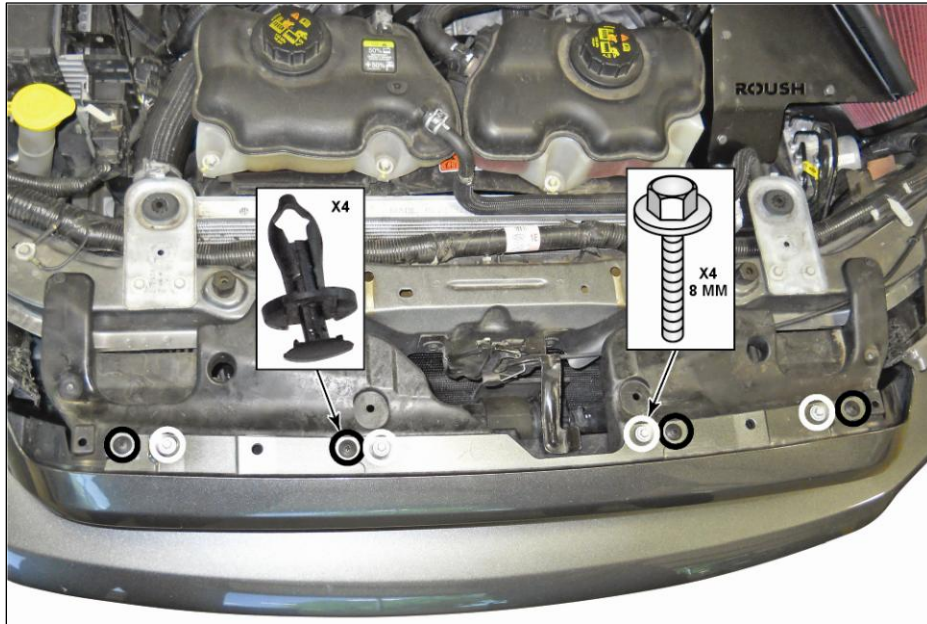
1. With the vehicle in NEUTRAL, position it on a hoist, raise and properly support.
2. Open the hood and remove the eight (8) pin-type retainers and the upper radiator sight shield.





ROUSH
P E R F O R M A N C E

3. Remove the four (4) pin-type retainers and the four (4) 8 mm bolts from the top of the bumper cover.
 - To install, tighten bolts to 3 Nm (27 lb-in).



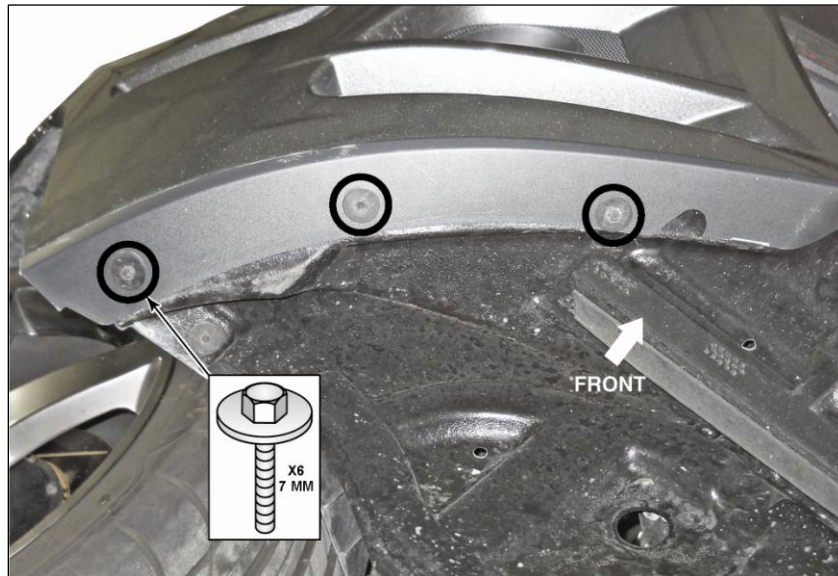


ROUSH[®]
P E R F O R M A N C E

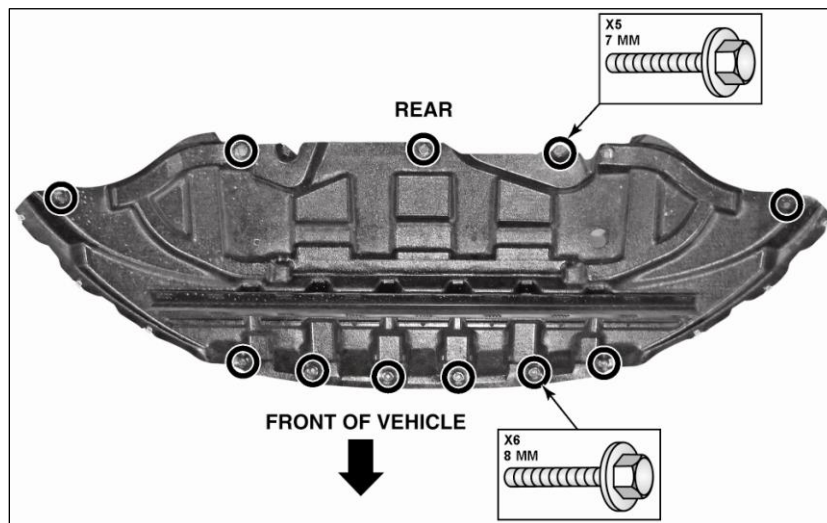
4. Turn the wheel to the right to gain access to the three (3) 7 mm bolts on the LH side of the vehicle and repeat on the RH side of the vehicle.
 - To install, tighten bolts to 1.3 Nm (12 lb-in).



- Remove the three (3) 7 mm outer lower valance bolts on the RH side. Repeat on the LH side.
 - To install, tighten bolts to 3.2 Nm (28 lb-in).

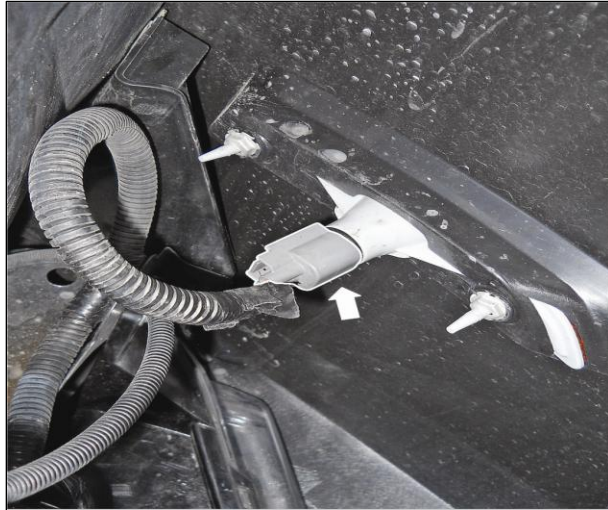


- Remove the front six (6) 8 mm bolts, the rear five (5) 7 mm bolts and pull down and back to remove the lower air deflector.
 - To install, tighten bolts to 3.2 Nm (28 lb-in).





7. Disconnect the two (2) side marker light connectors on the LH and RH side.



CAUTION: To protect the bottom of the bumper cover from damage, place on a protective surface once removed.

8. Pull outward to unsnap the LH and RH sides of the bumper cover.



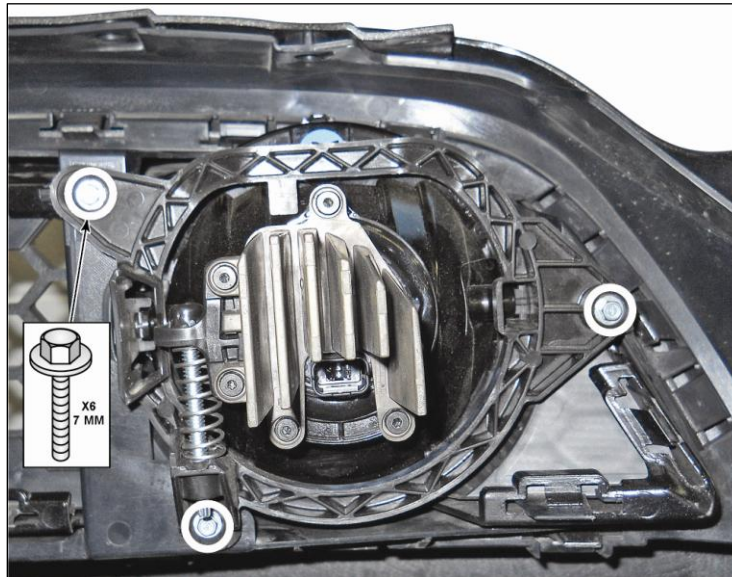


ROUSH[®]
P E R F O R M A N C E



NOTE: If equipped, disconnect the fog lamp connectors.

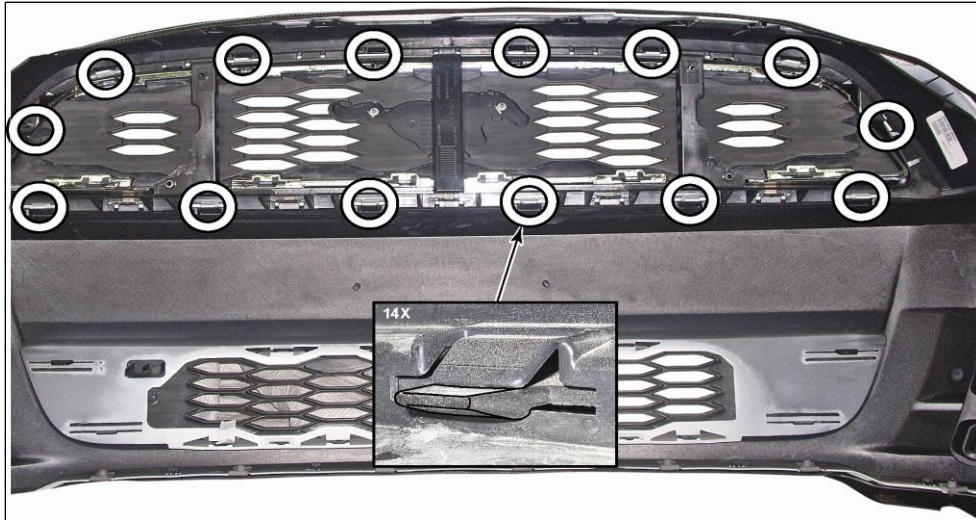
9. Pull at the area shown on the bumper cover to remove and place on a suitable work surface.
10. If equipped, remove the six (6) (three each side) 7 mm bolts and remove both LH and RH fog lamps.





ROUSH
P E R F O R M A N C E

11. Release the fourteen (14) retaining tabs and remove the grille from the bumper cover.

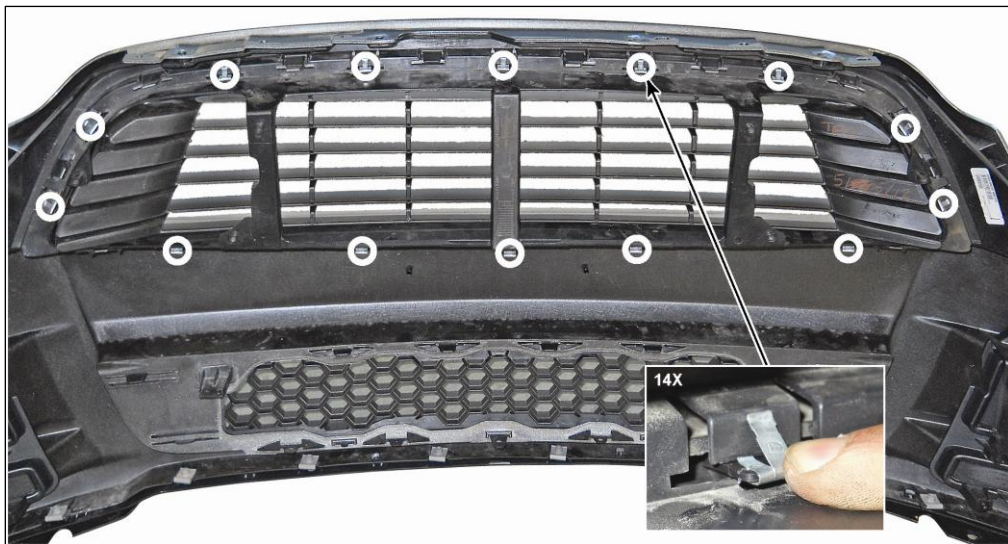




ROUSH[®]
P E R F O R M A N C E

SECTION B – Installation

1. Install the new grille; position the grille (R1313-8202) into the bumper cover and install the fourteen (14) U-clips (C29019-014).
 - Install the Roush grille badge (R1313-8202SQR) if purchased separately.
 - To install the front bumper cover, reverse the removal procedure.





ROUSH[®]
P E R F O R M A N C E

Congratulations!!! You have completed the installation of your new ROUSH Performance Products 2013 Mustang Upper Grille.





WARRANTY

All retail parts carry a 90-day warranty from the date of purchase. This warranty covers defects in materials or workmanship, and does not include (i) normal wear and tear, environmental conditions, improper installation; (ii) road hazards, misuse, abuse, neglect, accidents, collision, fire, theft, freezing, vandalism, riot, explosion, or objects striking the vehicle; (iii) misusing the vehicle, such as driving over curbs, overloading, racing or using the vehicle as a stationary power source; (iv) altering, disassembling or modifying the parts; (v) defects caused or induced by failures, breakdowns or damage by other parts, components or the vehicle; (vi) subjecting the parts to excessive moisture or water or any motor vehicle fluids (e.g.: oil, anti-freeze, battery acid, brake fluid, etc.); (vii) acts of God, natural disasters and other similar causes beyond the reasonable control of ROUSH; or (viii) application of chemicals that affect the parts. This Limited Warranty does not cover surface deterioration of paint, trim and appearance items that result from use and/or exposure to the elements, such as stone chips, scratches, bird droppings, lightning, hail, windstorm, dings, dents, earthquake, road salt, tree sap, water or flood.

ROUSH SHALL NOT BE LIABLE TO REIMBURSE CUSTOMER/DEALER FOR INCIDENTAL OR CONSEQUENTIAL DAMAGES RESULTING FROM THE INSTALLATION OR USE OF ANY PRODUCT SOLD THROUGH THIS CATALOG OR ARISING OUT OF ANY BREACH OF WARRANTY. EXCEPT AS MAY BE STATED IN THIS CATALOG, ROUSH DISCLAIMS ALL EXPRESS AND IMPLIED WARRANTIES, INCLUDING THE WARRANTIES OF MERCHANTABILITY AND FITNESS FOR A PARTICULAR PURPOSE. IN NO EVENT SHALL ROUSH'S LIABILITY EXCEED THE PRICE PAID BY CUSTOMER/DEALER FOR PRODUCTS SOLD REGARDLESS IF ROUSH HAS BEEN ADVISED IN ADVANCE OF ANY POTENTIAL PROBLEM OR IF A CLAIM IS BASED ON CONTRACT, TORT, STRICT LIABILITY, PRODUCT LIABILITY OR OTHERWISE. SOME STATES DO NOT ALLOW THE EXCLUSION OR LIMITATION OF IMPLIED WARRANTIES OR THEIR DURATION, OR LIABILITY FOR INCIDENTAL OR CONSEQUENTIAL DAMAGES, SO THE ABOVE EXCLUSIONS OR LIMITATIONS MAY NOT APPLY.