

2024-2026 ROUSH MUSTANG 5.0L V8 AIR INTAKE SYSTEM

INSTALLATION INSTRUCTIONS

P/N: 422334

1324-9600



ROUSH[®]
P E R F O R M A N C E

28200 Plymouth Rd, Livonia, MI 48150 | 800.59.ROUSH

2024-2026 Roush Mustang 5.0L V8 Air Intake System Installation Instructions

P/N: 422334



Application: 2024-2026 Ford Mustang V8: GT & Dark Horse (5.0L) Manual or Automatic Transmission

Important Note:

Before installing the ROUSH Performance Product, please read through the installation procedure and verify that all items are present. If you are missing hardware or have any questions, please contact ROUSH Performance at 1-800-59-ROUSH, 9:00 AM to 5:00 PM EST.

TABLE OF CONTENTS

INTRODUCTION.....	1
PACKING LIST.....	3
EQUIPMENT AND SUPPLIES REQUIRED.....	3
LIMIT OF LIABILITY STATEMENT.....	4
SAFETY PRECAUTIONS.....	4
SECTION A - DISASSEMBLY.....	5
SECTION B - INSTALLATION.....	6

ROUSH® Parts and Accessories Warranty

• ROUSH's warranty obligations for ROUSH® Parts and Accessories is limited to defects in materials and workmanship, as solely determined after ROUSH's careful inspection, for 90 days that begins on the date of retail purchase from an Authorized ROUSH® Performance Dealer by the original end-user purchaser ("Warranty Period").

• All purchased components are required to be registered within 30 days of purchase. Warranty can be registered at the following link below or by scanning the QR code as shown below:

<https://roush.my.site.com/RPPhelp/s/article/ROUSH-Performance-Warranty-Information>



PACKING LIST FOR 422334 2024-2026 Roush Mustang 5.0L V8 Air Intake System

Description	Part Number	Quantity
LH (DRIVER) - AIRBOX LID ASY (LID/LENS)	PT00050032	1
RH (PASSENGER) - AIRBOX LID ASY (LID/LENS)	PT00050029	1
AIR FILTER - RED (DRY) W/CLAMP	PT00050035	2
CUSTOMER CARE KIT	RETAILDOC	1

EQUIPMENT AND SUPPLIES REQUIRED

- 7 mm Socket
- 8 mm Socket
- 10 mm Socket
- Flat-head Screwdriver

If you are missing any items, please call us toll free at 1-800-59-ROUSH.

LIMIT OF LIABILITY STATEMENT

The information contained in this publication was accurate and in effect at the time the publication was approved for printing and is subject to change without notice or liability. ROUSH Performance Products (RPP) reserves the right to revise the information presented herein or to discontinue the production of parts described at any time.

SAFETY PRECAUTIONS



CAREFULLY READ THE IMPORTANT SAFETY PRECAUTIONS and WARNINGS BEFORE PROCEEDING WITH THE INSTALLATION!

Appropriate disassembly, assembly methods and procedures are essential to ensure the personal safety of the individual performing the kit installation. Improper installation due to the failure to correctly follow these instructions could cause personal injury or death. Read each step of the installation manual carefully before starting the installation.

- **Always wear safety glasses for eye protection.**
- **Place ignition switch in the OFF position.**
- **Always apply the parking brake when working on a vehicle.**
- **Block the front and rear tire surface to prevent unexpected vehicle movement.**
- **If working with a lift, always consult vehicle manual for correct lifting specifications.**
- **Operate the engine only in well-ventilated areas to avoid exposure to carbon monoxide.**
- **Do not smoke or use flammable items near or around the fuel system.**
- **Use chemicals and cleaners in well-ventilated areas.**
- **Batteries produce explosive gases, which can cause personal injury. Therefore, do not allow flames, sparks or flammable substances to come near the battery.**
- **Keep hands and any other objects away from the radiator fan blades.**
- **Keep yourself and your clothing away from moving parts when the engine is running.**
- **Do not wear loose clothing or jewelry that can get caught in rotating parts or scratch surface finishes.**
- **Allow the engine, cooling system, brakes and exhaust to cool before working on a vehicle.**

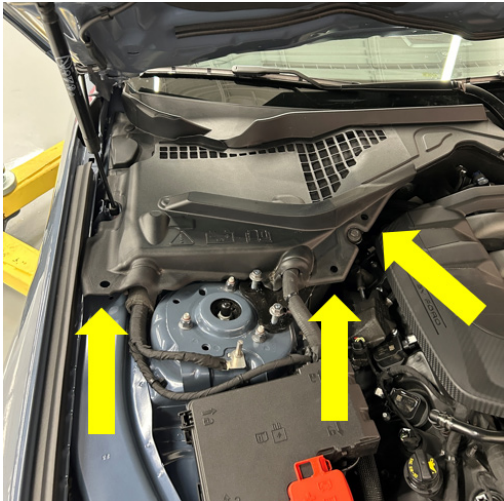
WORK SAFELY!

Perform this installation on a good clean level surface for maximum safety and with the engine turned off.

SECTION A – DISASSEMBLY

The following section will guide you through the removal of the stock components.

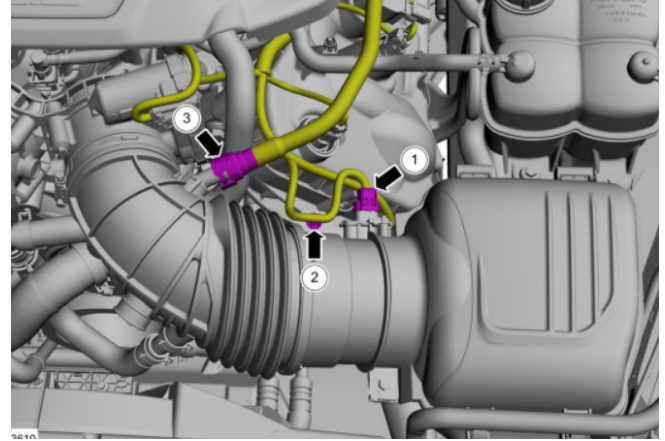
1. Turn off the vehicle.
2. Cover both fenders with fender covers to protect the vehicle finish.
3. Open the hood. Loosen the 3 retaining nuts on the battery cover located on the passenger side of the engine bay. Remove the battery cover and save for re-use.



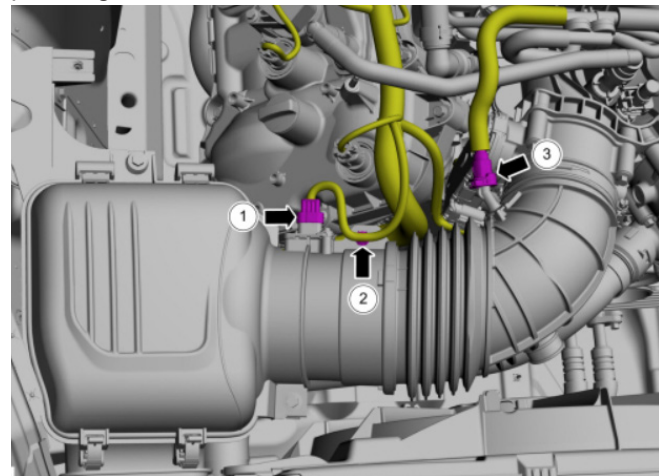
4. Loosen and remove the ground terminal . (10 mm socket) Cover the ground post on the battery with a rag or tape. Repeat the process for the power terminal. (Torque: 5 Nm)



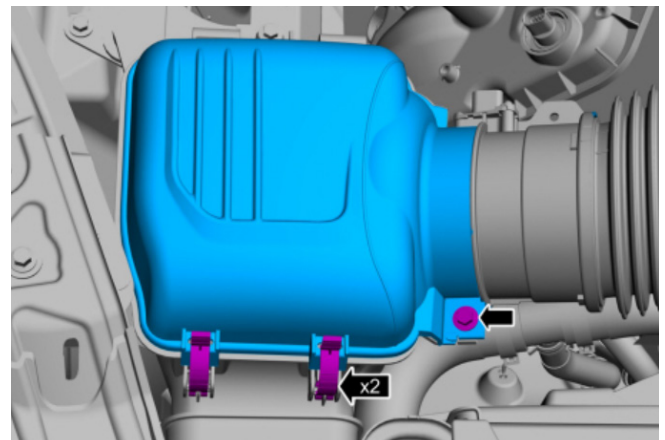
5. Disconnect the electrical connector, wiring harness retainer, and the vent tube located on the driver side clean air tube.



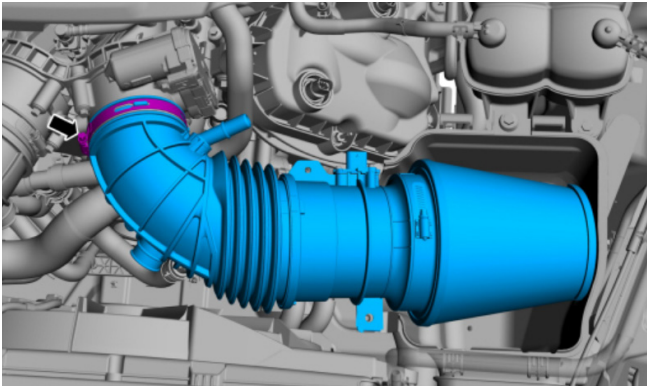
6. Disconnect the electrical connector, wiring harness retainer, and the vacuum tube located on the passenger side clean air tube.



7. Remove the airbox lid from the passenger side airbox by doing the following: Release the 2 latches on the front side of the airbox, then remove the MAF tube bolt. (10 mm socket) Repeat this step on the other side, save the bolts for re-use.



8. Loosen the clamp at the throttle body side of the clean air tube (7mm socket) and disconnect the clean air tube from the throttle body. Repeat this step for the other side.



9. Remove the factory air filters from the factory clean air tubes (8mm socket). Note: Install new air filters in SECTION B – INSTALLATION.



CONTINUE TO SECTION B – INSTALLATION

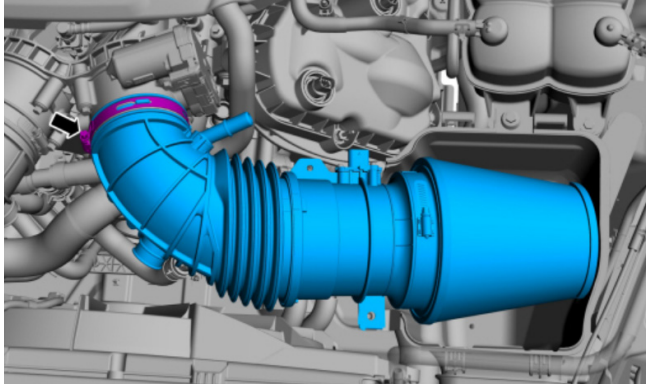
SECTION B – INSTALLATION

The following section will guide you through the installation of the air intake system into the vehicle.

1. Locate provided parts PN: PT00050035 AIR FILTER - RED, Quantity of 2. Install the provided air filters onto the factory clean air tubes (8mm socket). **DO NOT TIGHTEN THE AIR FILTER CLAMPS YET; PROPER ORIENTATION REQUIRED.**



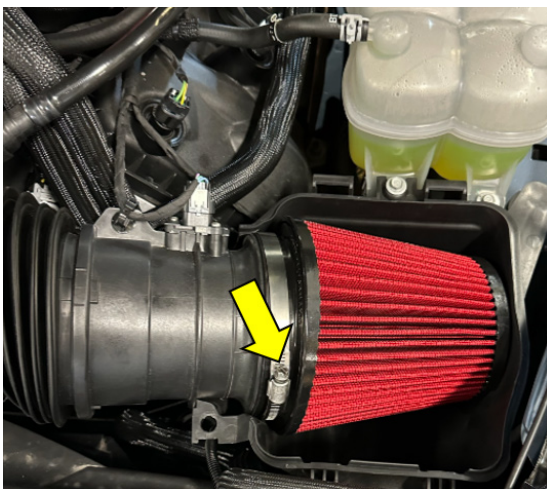
2. Install the driver side clean air tube assembly back into the driver side airbox. Tighten the clamp holding the clean air tube to the throttle body, torque to 4.1 Nm. (7 mm socket)



3. Rotate the air filter until the tab on the air filter is aligned to the concave area on the bottom of the airbox as shown, press until the air filter is down into the airbox, make sure it is snug and unmovable.



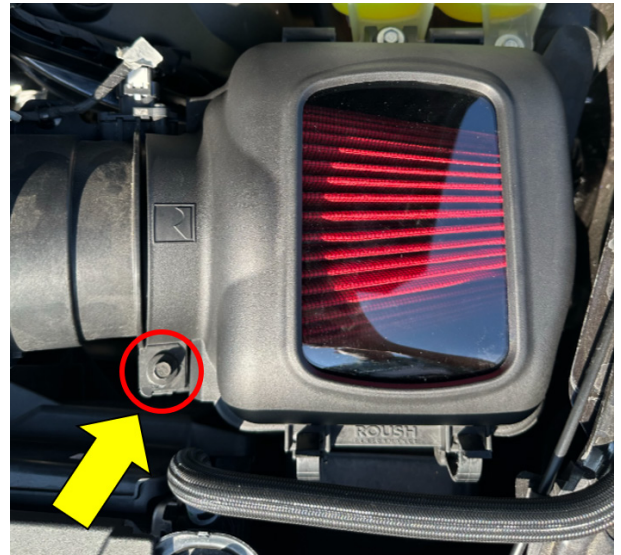
4. Tighten the air filter clamp and torque to 4.1 Nm. (8mm socket)



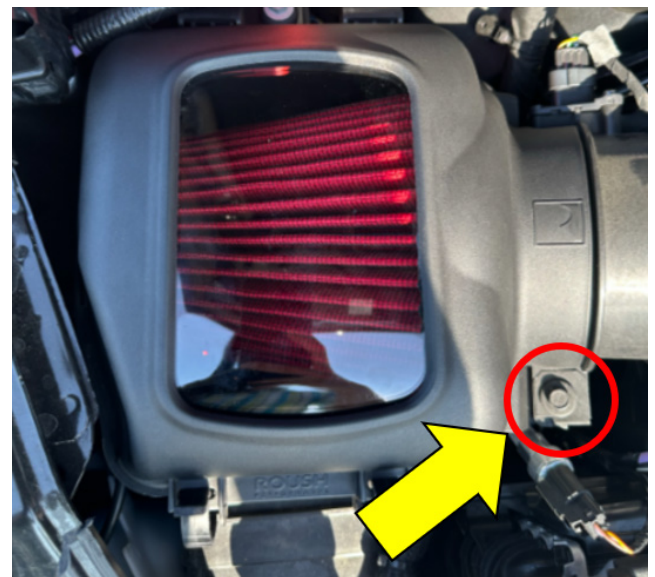
5. Repeat steps 2-4 for the other side.

6. If your vehicle is equipped with 2024-2026 Roush Mustang Supercharger, please go to step 9 on page 8.

7. Locate provided part PN: PT00050032 (LH (DRIVER) - AIRBOX LID ASY). Install airbox lid on the driver side airbox by doing the following: Clip the 2 latches on the front side of the airbox, then tighten the MAF tube bolt and torque to 2.8 Nm. (10 mm socket)



8. Locate provided parts PN: PT00050029 (RH (PASSENGER) - AIRBOX LID ASY). Install airbox lid on the passenger side airbox by doing the following: Clip the 2 latches on the front side of the airbox, then tighten the MAF tube bolt and torque to 2.8 Nm. (10 mm socket)

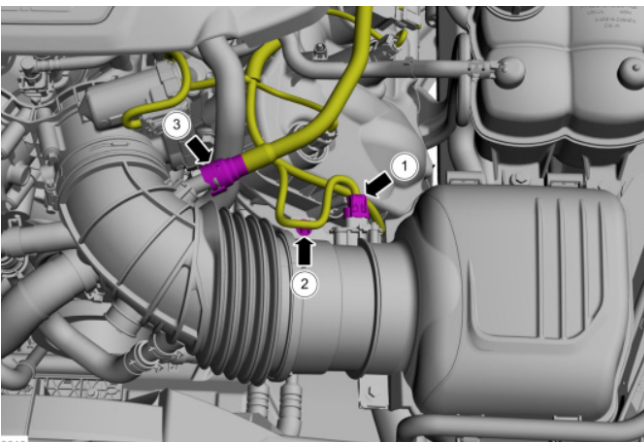


9. For ROUSH Supercharged vehicles ONLY:

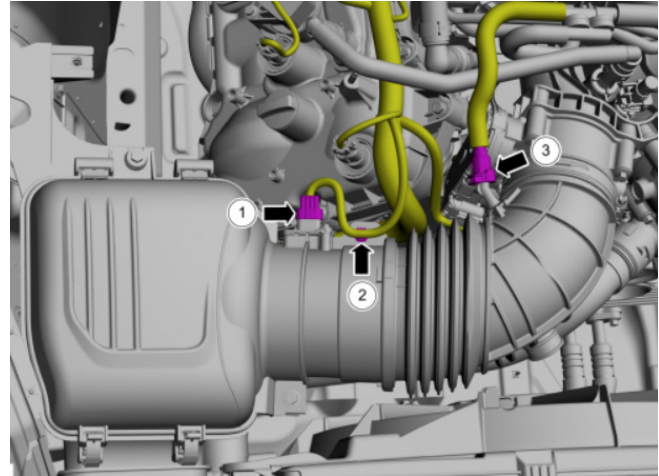
Trimming of the airbox lid is required for the installation to work with the ROUSH Supercharger kit. The lids need to be modified to work with the rotated MAF Tube position in the Supercharger Kit. Carefully flip both of the airbox lids (PNs: PT00050029 and PT00050032) upside down on a protective work surface, as to not scratch the lens. Remove the required material as shown on the underside of the lid, to get the required fitment.



10. Reconnect the electrical connector, wiring harness retainer, and the PCV tube located on the driver side clean air tube. Note: Reverse of SECTION A – DISASSEMBLY, Step 5.



11. Reconnect the electrical connector, wiring harness retainer, and the PCV tube located on the passenger side clean air tube. Note: Reverse of SECTION A – DISASSEMBLY, Step 6.

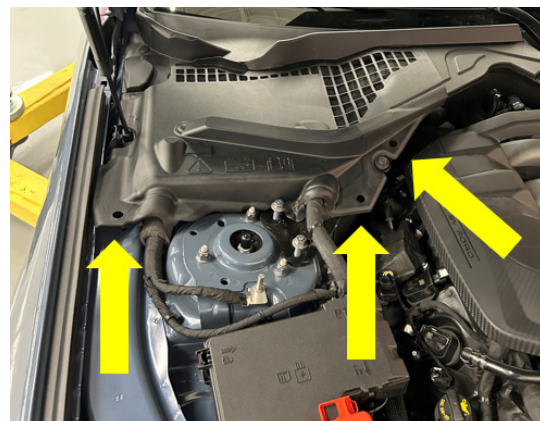


12. Install the ground and power post back onto the vehicle battery, then tighten the ground and power terminal bolt (10 mm socket) and torque to 5 Nm.

Note: Reverse of SECTION A – DISASSEMBLY, Step 4.



13. Install the vehicle battery cover using the 3 retaining nuts. Note: Reverse of SECTION A – DISASSEMBLY, Step 3.



14. Start vehicle and make sure there is no CEL or MIL appear on your dashboard. If there is CEL or MIL appear on your dashboard, make sure all connectors and sensors are plugged back into the clean air tube, and all clamps are tightened to torque spec.



15. Congratulations! You have completed the installation process.

To register your Roush air intake system, go to: <https://support.roushperformance.com/s/article/ROUSH-Performance-Warranty-Information> or scan the QR code below.

