

# ROUSH Quad Tip Exhaust

## Installation Instructions

P/N: 421920 • 421921  
421922 • 421923



**ROUSH**  
PERFORMANCE

39555 Schoolcraft Rd, Plymouth MI, 48170 | 800.59.ROUSH

# ROUSH Quad Tip Exhaust

## Installation Instructions

P/N: 421920 (R1315-5231PV) - Fastback GT V8

421921 (R1315-5231PVCV) - Convertible GT V8

421922 (R1315S1-5231PV) -

Fastback EcoBoost I4

421923 (R1315S1-5231PVCV) -

Convertible EcoBoost I4



\*Shown with optional ROUSH Rear Valance (P/N: 421894).

**Application:** 2015 Ford Mustang

**Important Note:**

Before installing your ROUSH Performance Product(s), read through the entire installation procedure and check to make sure all items are present. Contact ROUSH Customer Service at 1-800-59-ROUSH, weekdays from 9:00 AM to 5:00 PM EST, with any questions regarding fit, missing parts or instructions that are unclear to you.

**TABLE OF CONTENTS**

Packing List for Roush Quad Tip Exhaust Systems.....	3
Equipment and Supplies Required.....	4
Limit of Liability Statement.....	4
Safety Precautions .....	4
Work Safely! .....	4
Rear Sub Frame Removal .....	5
Removing Stock Exhaust .....	5
Fastback Exhaust Cut Point.....	6
Convertible Exhaust Cut Point .....	6
Quad Tip GT V8 and Ecoboost I4 Exhaust Installation .....	7
Drill Template.....	11

**PACKING LIST FOR ROUSH QUAD TIP EXHAUST SYSTEMS**

<b>Description</b>	<b>Part Number</b>	<b>Quantity</b>
<b>Passive Exhaust - Fastback GT V8</b>	<b>R1315-5231PV</b>	
Muffler V8 Active LH	1315-5232AV	1
Muffler V8 Active RH	1315-5230AV	1
<b>Passive Exhaust - Convertible GT V8</b>	<b>R1315-5231PVCV</b>	
Muffler V8 Active LH	1315-5232AVCV	1
Muffler V8 Active RH	1315-5230AVCV	1
<b>Passive Exhaust - Fastback EcoBoost I4</b>	<b>R1315S1-5231PV</b>	
Muffler V8 Active LH	1315S1-5232AV	1
Muffler V8 Active RH	1315S1-5230AV	1
<b>Passive Exhaust - Convertible EcoBoost I4</b>	<b>R1315S1-5231PVCV</b>	
Muffler V8 Active LH	1315S1-5232AVCV	1
Muffler V8 Active RH	1315S1-5230AVCV	1
<b>Exhaust Hardware</b>		
Outlet Coupler, Pipe LH	1315-5232CPL	1
Outlet Coupler, Pipe RH	1315-5230CPL	1
Block Off Plate	1315-5231BOP	2
Block Off Gasket	CV6Z-9450	2
Nut, Flange M8 x 1.25	NM8X125HF	4
Tips, Dual Wall Round	1315-AVTIP	4
CLAMP - 2.5" - Tip to Muffler	10-0338	4
CLAMP - 2.5" - Pipe to Muffler	94-0053	2
Exhaust Hanger, LH	1315-5A261	1
Exhaust Hanger, RH	1315-5G298	1
<b>Exhaust Hardware Kits</b>		
Exhaust Heat Shield Kit	1315-5231EXHK	1
Exhaust Heat Shield	1315-5231SHLD	2
M10x30/M8x16 Exhaust Heat Shield Stud	W717354-S442	4
Nut, M8 x 1.5	NM8X125HF-S437	4
Exhaust Hardware Kit	1315-5231HWK	1
Exhaust Hanger Rubber Isolator	BR3Z-5A262	2
Rivet Nut M8 x 1.25	95105A191	4
Bolt, M8 x 1.25 x 25 mm Hanger	W500224	4
Exhaust Rivet Nut Installation Hardware Kit	R1315-5231HWK	1
Bolt, M8 x 1.25 x 25 mm Hanger	W500224	1
Installation Nut - M10 x 1.5	90592A024	1
GO TO WEBSITE INSTRUCTIONS - ONEPAGER	1315-P1INST	1

**EQUIPMENT AND SUPPLIES REQUIRED**

- Exhaust Pipe Cutting Tool
- Tape Measure
- Scissors
- 17 mm Wrench
- Marker
- Deburr Tool
- Drill
- Drill Bits: 1/8", 17/32"
- Corrosion Inhibitor (Motorcraft PMP-19500-6000 Clear Topcoat recommended)
- 3/8" Drive Ratchet
- 3/8" Extension
- 3/8" 13 mm Socket
- 3/8" 15 mm Socket
- 3/8" Torque Wrench

**If you are missing any items, please call us toll free at 1-800-59-ROUSH.**

**LIMIT OF LIABILITY STATEMENT**

The information contained in this publication was accurate and in effect at the time the publication was approved for printing and is subject to change without notice or liability. ROUSH Performance Products (RPP) reserves the right to revise the information presented herein or to discontinue the production of parts described at any time.

**SAFETY PRECAUTIONS****CAREFULLY READ THE IMPORTANT SAFETY PRECAUTIONS and WARNINGS BEFORE PROCEEDING WITH THE INSTALLATION!**

Appropriate disassembly, assembly methods and procedures are essential to ensure the personal safety of the individual performing the kit installation. Improper installation due to the failure to correctly follow these instructions could cause personal injury or death. Read each step of the installation manual carefully before starting the installation.

- Always wear safety glasses for eye protection.
- Place ignition switch in the OFF position.
- Always apply the parking brake when working on a vehicle.
- Block the front and rear tire surface to prevent unexpected vehicle movement.
- If working with a lift, always consult vehicle manual for correct lifting specifications.
- Operate the engine only in well-ventilated areas to avoid exposure to carbon monoxide.
- Do not smoke or use flammable items near or around the fuel system.
- Use chemicals and cleaners in well-ventilated areas.
- Batteries produce explosive gases, which can cause personal injury. Therefore, do not allow flames, sparks or flammable substances to come near the battery.
- Keeps hands and any other objects away from the radiator fan blades.
- Keep yourself and your clothing away from moving parts when the engine is running.
- Do not wear loose clothing or jewelry that can get caught in rotating parts or scratch surface finishes.
- Allow the engine, cooling system, brakes and exhaust to cool before working on a vehicle.

**WORK SAFELY!**

Perform this installation on a good clean level surface for maximum safety and with the engine turned off.



**Note:** For convertible installation ONLY, follow the section below titled "Rear Sub Frame Removal"

## REAR SUB FRAME REMOVAL

1. Convertible Mustangs have a rear sub frame connector that needs to be removed in order to install the ROUSH exhaust system. In order to do so, remove sixteen (16) 15 mm bolts and lower the sub frame connector to the ground with the help of an assistant. After removal, follow the remaining steps in the installation guide before finally following the reverse of this step to re-install the sub frame connector. Torque to 46 lb-ft (63 Nm).

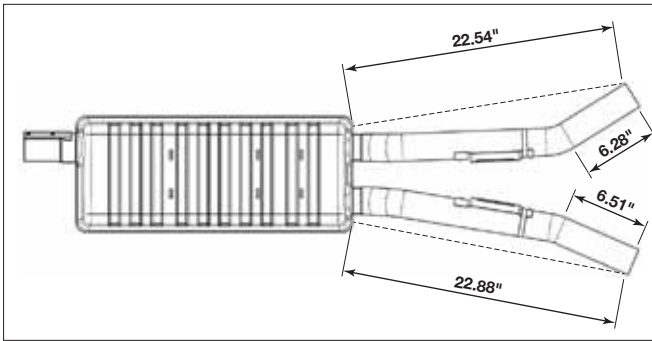


## REMOVING STOCK EXHAUST

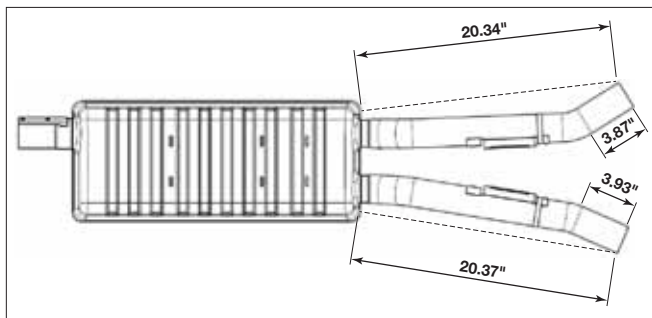
1. Using a suitable exhaust pipe cutting tool, cut completely through the stock exhaust in the two (2) locations shown below.



**FASTBACK EXHAUST CUT POINT**



**CONVERTIBLE EXHAUST CUT POINT**



2. Remove the two (2) 13 mm bolts that retain the exhaust hangers on the IRS sub frame.

3. Unhook each exhaust hanger from the sub frame and remove each muffler assembly by sliding the inlets down and forward to extract the rear exhaust hangers from their mounts.





### QUAD TIP GT V8 AND ECOBOOST I4 EXHAUST INSTALLATION

1. With the rear wheels off of the ground remove and replace the rear sway bar bushing bolts one at a time with the new studs (P/N: DS10X30X10X) that are found in the heat shield kit (P/N: 1315-5231EXHK). Install the heat shields (P/N: 1315-5231SHLD) with the nuts (P/N: W520414) that are included in the heat shield kit.



2. Locate the template onto the rear chassis sub frame as shown in the pictures below and mark the drill holes with a center punch. Use the same template to mark the holes on both the RH and LH sides of the vehicle.



3. Drill all four (4) pilot holes that were marked in the previous step with a 1/8" drill bit followed by a 17/32" drill bit.





4. Deburr the drilled holes and apply automotive clear coat. Install four (4) rivet nuts (P/N: 95105A191) using the supplied bolt and nut from the rivet nut installation kit (P/N: R1315-5231HWK). Insert the nut onto the bolt and thread the bolt into the rivet nut. Hold the nut with a 17 mm wrench and tighten the bolt nut with a 10 mm socket until the rivet nut is fully seated.



6. Remove the two (2) IRS sub frame mounted exhaust hangers from the stock exhaust system and slide them onto each side of the ROUSH exhaust.



5. Install the two (2) supplied exhaust hangers (P/N: 1315-5A261 and 1315-5G298) and four (4) bolts (P/N: W500224) as shown below. Torque to 18 lb-ft (25 Nm).

7. Slide the rubber exhaust isolators (P/N: BR3Z-5A262) onto the rear muffler hangers. Install the block off gaskets (P/N: CV6Z-9450) followed by the block off plates (P/N: 1315-5231BOP) and finally the outlet couplers (P/N: 1315-5232CPL and 1315-5230CPL) onto both of the flanged outlets on the muffler assemblies. Secure the outlet couplers with the four (4) nuts (P/N: NM8X125HF) and torque to 18 lb-ft (25 Nm). Slide the exhaust pipe clamps (P/N: 94-0052) onto each outlet of the forward section of the factory exhaust.



8. Install each side of the ROUSH exhaust system by inserting the rear exhaust hangers first and then sliding each side forward to fully seat the inlets with the forward section of the stock exhaust. Be sure to connect the rubber isolators to the hangers that were installed in step 7 and also reinstall the two (2) IRS sub frame exhaust hangers with the two (2) 13 mm bolts that were removed in step 2 and torque to 18 lb-ft (25 Nm). Torque the exhaust pipe clamps to 35 lb-ft (47 Nm).







**Congratulations!!** The installation is complete.



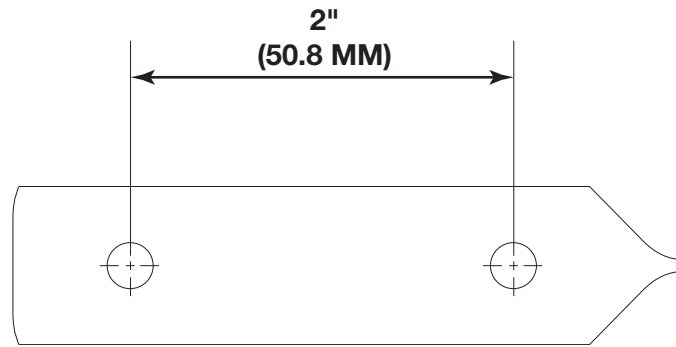
9. Slide each exhaust tip (P/N: 1315-AVTIP) onto the muffler outlets with the exhaust tip clamps (P/N: 10-0338). Align the tips to the rear valance. Torque the exhaust tip clamps to 35 lb-ft (47 Nm).

**NOTE:** If your vehicle is a convertible be sure to re-install the rear sub frame by reversing step 1 titled "Rear Sub Frame Removal".





**DRILL TEMPLATE**



**Note:** Print this page at 100% scale and verify that the drill template has printed properly by measuring it after it is printed.