

## ROUSH Performance Air Induction Kit

### Part # 421241

#### Applications:

2010-11 Ford Taurus SHO  
2010-11 Ford Flex  
2010-11 Lincoln MKS  
2010-11 Lincoln MKT  
3.5L V-6 Eco-Boost

### Installation Instructions

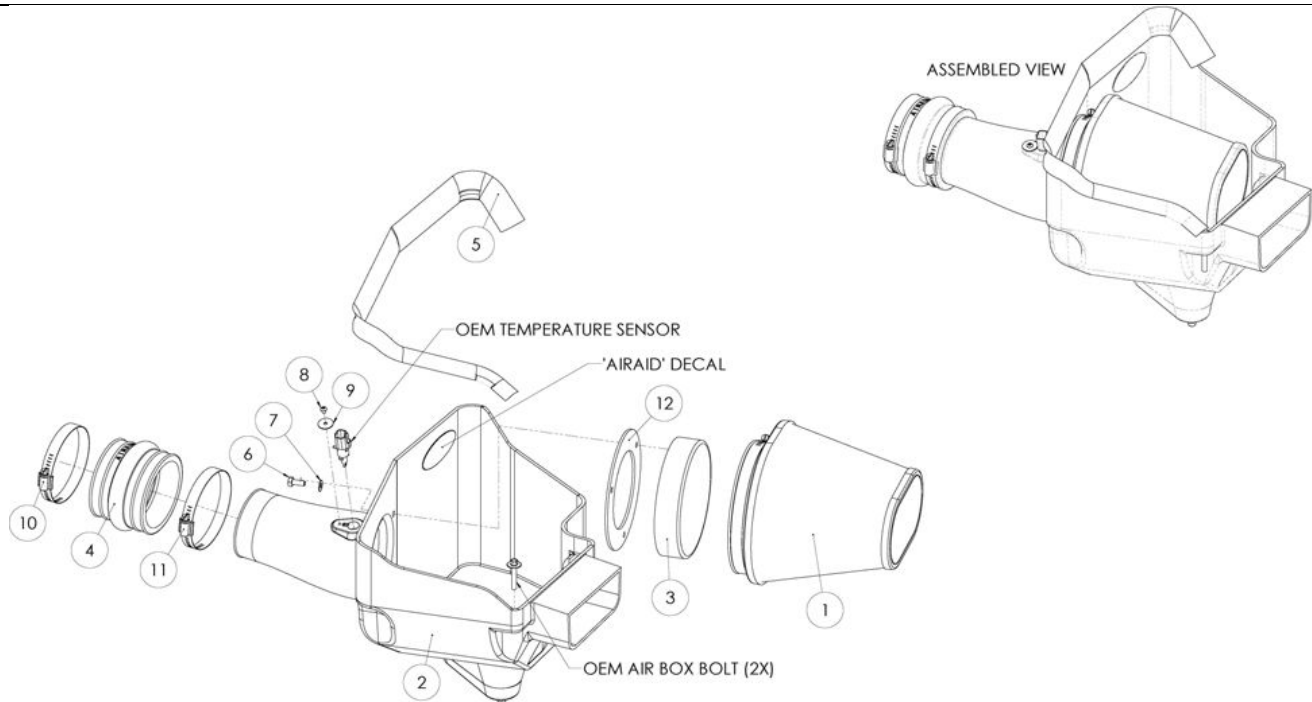
Before installing your ROUSH Performance Product(s), read through the entire installation procedure and check to make sure all items are present. Contact ROUSH Customer Service at 1-800-59-ROUSH, 8:00 AM to 5:00 PM weekdays, for missing parts, any questions regarding fit or instructions that are unclear to you.

The air filter element is protected from direct exposure to water and debris. Care should be taken to avoid deep water. WATER INGESTION IS THE DRIVERS RESPONSIBILITY. The Premium Air Filter Element in this kit is reusable and should be cleaned periodically using a generic Air Filter Cleaner and Recharging Kit available at most performance auto parts stores.



# ROUSH

THE ART OF PERFORMANCE ENGINEERING



## Packing List for Air Induction Kit # 421241

Part Description	RPP Part #	Qty
Installation Instruction		1
ROUSH Premium Filter		1
Filter Adapter		1
Cool Air Dam		1
Hump Hose Reducer		1
Weather Strip 26 3/8"		1
<b>Hardware Kit</b>		
1/4"-20 x 5/8" Hex Head Bolt		3
1/4" Flat Washer		3
#8-32 x 1/4" Button Head Bolt		1
#8 x 3/4" O.D. Flat Washer		1
#56 Hose Clamp		1
#60 Hose Clamp		1
Adapter Gasket		1

### Tools required for this installation:

- 8mm Socket w/ Ratchet
- 7/16" Wrench
- 3/32" Allen Wrench
- Needle Nose Pliers

## **LIMIT OF LIABILITY STATEMENT**

The information contained in this publication was accurate and in effect at the time the publication was approved for printing and is subject to change without notice or liability. ROUSH Performance Products (RPP) reserves the right to revise the information presented herein or to discontinue the production of parts described at any time.

## **SAFETY REQUIREMENTS**

**STOP! READ IMPORTANT SAFETY CAUTIONS AND WARNINGS BEFORE PROCEEDING.**

### **IMPORTANT SAFETY NOTICE**

Appropriate disassembly, assembly methods and procedures are essential to ensure the personal safety of the individual performing the kit installation. Improper installation due to the failure to correctly follow these instructions could cause personal injury or death. Read each step of the installation manual carefully before starting the actual installation.

1. Always wear safety glasses for eye protection.
2. Place ignition switch in the OFF position.
3. Always apply the parking brake when working on a vehicle.
4. Block the front and rear tire surface to prevent unexpected vehicle movement.
5. If working without a lift, always consult vehicle manual for correct lifting specifications.
6. Operate the engine only in well-ventilated areas to avoid exposure to carbon monoxide.
7. Do not smoke or use flammable items near or around the fuel system.
8. Use chemicals and cleaners in well-ventilated areas.
9. Batteries produce explosive gases, which can cause personal injury. Therefore, do not allow flames, sparks or flammable substances to come near the battery.
10. Keeps hands and any other objects away from the radiator fan blades.
11. Keep yourself and your clothing away from moving parts when the engine is running.
12. Do not wear loose clothing or jewelry that can get caught in rotating parts or scratch surface finishes.
13. Allow the engine, cooling system, brakes and exhaust to cool before working on a vehicle.

### **WORK SAFELY!**

Perform this installation on a good clean level surface for maximum safety and with the engine turned off.

# ROUSH

THE ART OF PERFORMANCE ENGINEERING



1. Disconnect the negative battery cable!
  - A) Loosen the hose clamps that secure the factory intake tube to the factory air box and the 90 degree elbow pipe.
  - B) Remove the factory intake tube from the vehicle. It will not be reused.



2.
  - A) Unfasten the factory air box clips and separate the upper half of the air box from the intake assembly.
  - B) Disconnect the air temperature sensor.



3. Using a pair of needle nose pliers, carefully compress the fins of the wiring harness anchor and pull it out of the air box lid.



4. A) Using an 8mm socket, remove the two factory air box bolts and set aside. These will be reused in step 11.  
B) Remove the factory air filter element.



5. Remove the factory air box assembly from the vehicle.



6. Prepare the Filter Adapter for installation by positioning the Adapter Gasket on the mounting side and lining up the holes.



7. Install the Filter Adapter to the inside of the Cool Air Dam, using the three  $\frac{1}{4}$ "-20 Hex Bolts and  $\frac{1}{4}$ " Flat Washers as shown



8. A) Install the Hump Hose, large side first onto the Cool Air Dam tube. Loosely install the #56 Hose Clamp on the small side of the Hump Hose, and the #60 Hose Clamp on the large side. B) Slide the Hump Hose and Clamps downward on the tube, creating a compact assembly as shown.



9. Remove the air temperature sensor from the factory air box by rotating the sensor  $\frac{1}{4}$  turn counter clockwise and pulling outward.



10. A) Transfer the factory air temperature sensor into the Intake Tube and align the sensor tab with the groove in the Tube.  
B) Secure the sensor to the tube using the 8-32 Button Head Bolt and the 3/4" Washer.



11. A) Place the Cool Air Dam in the original location of the factory air box and secure using the factory hardware from Step 4.  
B) Slide the Hump Hose and clamps onto the 90 degree elbow pipe and tighten the clamps.  
C) Reconnect the air temperature sensor.



12. Install the ROUSH Premium Filter onto the adapter and tighten the clamp.

# ROUSH

THE ART OF PERFORMANCE ENGINEERING



13. Install the weather strip onto the top of the Cool Air Dam as shown starting near the radiator and working your way toward the fender.

**Congratulations!!!** You have completed the installation of the ROUSH Performance Products, Air Induction Kit. It is recommended that you save all parts removed from your vehicle during the installation of this kit.

## **WARRANTY**

All retail parts carry a 90-day warranty from the date of purchase. This warranty covers defects in materials or workmanship, and does not include (i) normal wear and tear, environmental conditions, improper installation; (ii) road hazards, misuse, abuse, neglect, accidents, collision, fire, theft, freezing, vandalism, riot, explosion, or objects striking the vehicle; (iii) misusing the vehicle, such as driving over curbs, overloading, racing, or using the vehicle as a stationary power source; (iv) altering, disassembling or modifying the parts; (v) defects caused or induced by failures, breakdowns, or damage by other parts, components or the vehicle; (vi) subjecting the parts to excessive moisture or water or any motor vehicle fluids (e.g.: oil, anti-freeze, battery acid, brake fluid, etc.); (vii) acts of God, natural disasters and other similar causes beyond the reasonable control of ROUSH; or (viii) application of chemicals that affect the parts. This Limited Warranty does not cover surface deterioration of paint, trim, and appearance items that result from use and/or exposure to the elements, such as stone chips, scratches, bird droppings, lightning, hail, windstorm, dings, dents, earthquake, road salt, tree sap, water or flood.

ROUSH SHALL NOT BE LIABLE TO REIMBURSE CUSTOMER/DEALER FOR INCIDENTAL OR CONSEQUENTIAL DAMAGES RESULTING FROM THE INSTALLATION OR USE OF ANY PRODUCT SOLD THROUGH THIS CATALOG OR ARISING OUT OF ANY BREACH OF WARRANTY. EXCEPT AS MAY BE STATED IN THIS CATALOG, ROUSH DISCLAIMS ALL EXPRESS AND IMPLIED WARRANTIES, INCLUDING THE WARRANTIES OF MERCHANTABILITY AND FITNESS FOR A PARTICULAR PURPOSE. IN NO EVENT SHALL ROUSH'S LIABILITY EXCEED THE PRICE PAID BY CUSTOMER/DEALER FOR PRODUCTS SOLD REGARDLESS IF ROUSH HAS BEEN ADVISED IN ADVANCE OF ANY POTENTIAL PROBLEM OR IF A CLAIM IS BASED ON CONTRACT, TORT, STRICT LIABILITY, PRODUCT LIABILITY OR OTHERWISE. SOME STATES DO NOT ALLOW THE EXCLUSION OR LIMITATION OF IMPLIED WARRANTIES OR THEIR DURATION, OR LIABILITY FOR INCIDENTAL OR CONSEQUENTIAL DAMAGES, SO THE ABOVE EXCLUSIONS OR LIMITATIONS MAY NOT APPLY.