



## ROUSH Mustang Front Chin Spoiler Kit

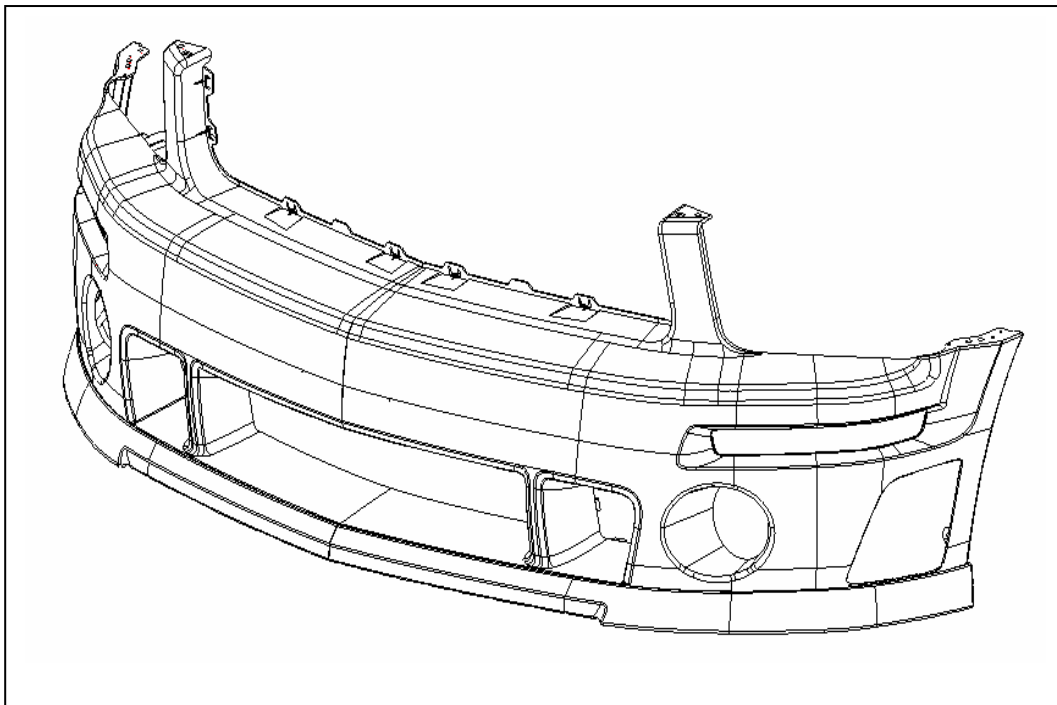
R03010050

Application: 2005-09 Ford Mustang GT Model w/ ROUSH Front Fascia

### Installation Instructions

**Note: Front Chin Spoiler Kit (R03010050) requires pre-installation of the ROUSH Mustang Front Fascia Kit (R03010046)**

Before installing your ROUSH Performance Product(s), read through the entire installation procedure and check to make sure all items are present. Contact ROUSH Customer Service at 1-800-59-ROUSH, 9:00 AM to 5:00 PM weekdays, for any questions regarding fit or instructions that are unclear to you.

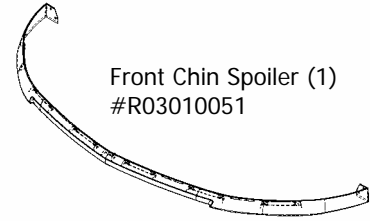


# ROUSH

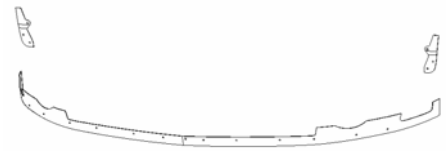
THE ART OF PERFORMANCE ENGINEERING

## Packaging List for Complete Chin Spoiler Kit #R03010050

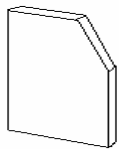
<u>Item</u>	<u>Quantity</u>
Front Chin Spoiler (#R03010051)	1
Hardware Kit, Front Chin Spoiler (#R03010076)	1
Corner Spacers	2
Screw, M4.2x1.41x18mm Hex SEMS	10
U-Nut, M4.2x1.41	10
U-Stud, M4x0.7x23mm	2
Nut, M4x0.7 Hex Flange	2
Scrivet, 6.3x23mm	4
Tape, Adhesive 12x28mm	1
Tape, Adhesive 12x100mm	6
Drill Template, Front Chin Spoiler Kit (#R03010083)	1
Installation Instructions (#R03010079)	1



Front Chin Spoiler (1)  
#R03010051



Drill Template (1)  
Front Chin Spoiler Kit, #R03010083



Corner Spacer (2)



U-Stud,  
M4.x0.7x23mm (2)



Screw, M4.2x1.41x18mm  
Hex SEMS (10)



Nut, M4x0.7  
Hex Flange (2)



Tape, Adhesive 12x28mm (1)  
Tape, Adhesive 12x100mm (6)



U-Nut, M4.2x1.41 (10)



Scrivet,  
6.3x23mm (4)

## Equipment and Supplies Required

Ratchet  
 11 mm Socket  
 Soft Cloth  
 #2 Phillips Head Screw Driver  
 Drill  
 Drill Bit, 6 mm and 7 mm  
 Automatic Center Punch  
 Role of Masking Tape  
 Torque Gage (Nm)



### **Suggested Materials**

Dupont® 2319 Plastic Prep

Dupont® 2330S or equivalent Adhesion Promoter (for paint)

3M 4298 Adhesion Promoter (for double-sided tape)

### **LIMIT OF LIABILITY STATEMENT**

The information contained in this publication was accurate and in effect at the time the publication was approved for printing and is subject to change without notice or liability. ROUSH Performance Products (RPP) reserves the right to revise the information presented herein or to discontinue the production of parts described at any time.

### **SAFETY REQUIREMENTS**

**STOP! READ IMPORTANT SAFETY CAUTIONS AND WARNINGS BEFORE PROCEEDING.**

#### **IMPORTANT SAFETY NOTICE**

Appropriate disassembly, assembly methods and procedures are essential to ensure the personal safety of the individual performing the kit installation. Improper installation due to the failure to correctly follow these instructions could cause personal injury or death. Read each step of the installation manual carefully before starting the actual installation.

1. Always wear safety glasses for eye protection.
2. Place ignition switch in the OFF position.
3. Always apply the parking brake when working on a vehicle.
4. Block the front and rear tire surface to prevent unexpected vehicle movement.
5. If working without a lift, always consult vehicle manual for correct lifting specifications.
6. Operate the engine only in well-ventilated areas to avoid exposure to carbon monoxide.
7. Do not smoke or use flammable items near or around the fuel system.
8. Use chemicals and cleaners in well-ventilated areas.
  
9. Batteries produce explosive gases, which can cause personal injury. Therefore, do not allow flames, sparks or flammable substances to come near the battery.
10. Keep hands and any other objects away from the radiator fan blades.
11. Keep yourself and your clothing away from moving parts when the engine is running.
12. Do not wear loose clothing or jewelry that can get caught in rotating parts or scratch surface finishes.
13. Allow the engine, cooling system, brakes and exhaust to cool before working on a vehicle.

#### **WORK SAFELY!**

Perform this installation on a good clean level surface for maximum safety and with the engine turned off.

## 1. Paint Preparation

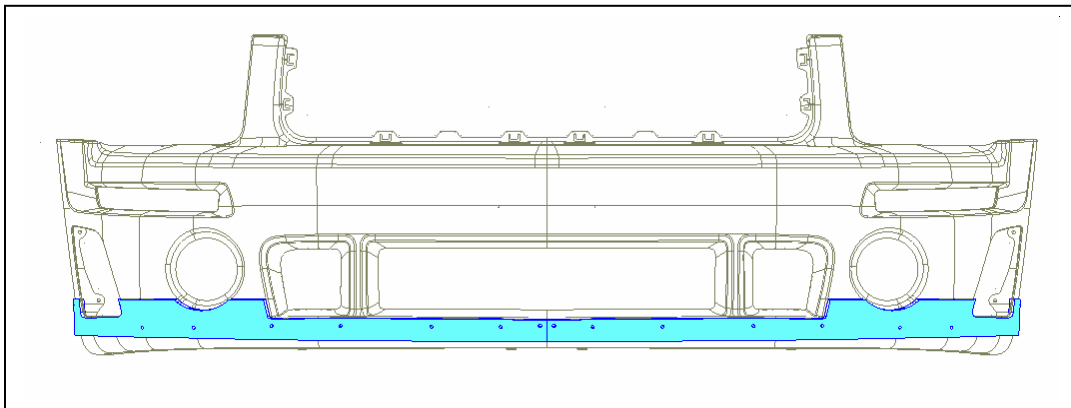
1. Wipe each part with plastic prep (Dupont® 2319 or equivalent)
2. Wipe entire part with tack cloth
3. Apply Adhesion Promoter (Dupont® 2330S or equivalent) prior to color and clear coat applications. This part is made of TPO (Thermoplastic polyolefin) and requires a promoter for paint adhesion.

## 2. Pre-Installation

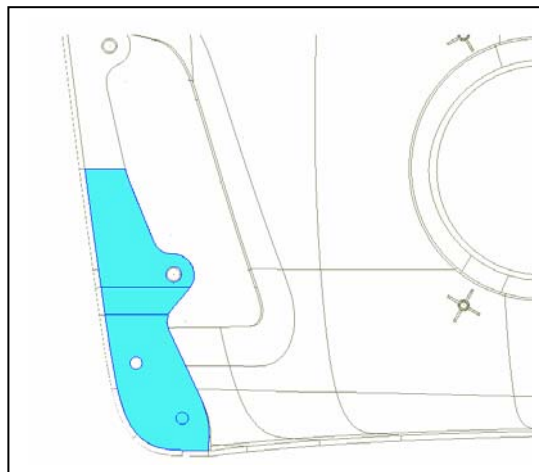
1. Wear eye protection
2. Clean Front Fascia thoroughly before using drill template.
- 3.

## 3. Vehicle Preparation

1. Position Templates to Front Fascia and Wheel Return Flange, refer to alignment marks on Drill Templates (#R03010083), Refer to Figures A. Tape Template into place.
2. Transfer hole centers from Templates to Front Fascia using automatic center punch.
3. Drill 7 mm and 6 mm holes on Front Fascia per Drill Template (#R03010083).
4. De-Burr all holes and remove shavings from area.



Figures A



## 4. Chin Spoiler Preparation

1. Install supplied U-nuts and U-studs to Chin Spoiler. (Refer to Figure B)
  - U-Nut, M4.2x1.41, qty 10
  - U-Stud, M4x0.7x23mm, qty 2
2. Install supplied Tape to Chin Spoiler. (Refer to Figure B)
  - Tape, Adhesive 12x28mm (center), qty 1.
  - Tape, Adhesive 12x100mm (between u-nuts), qty 6.

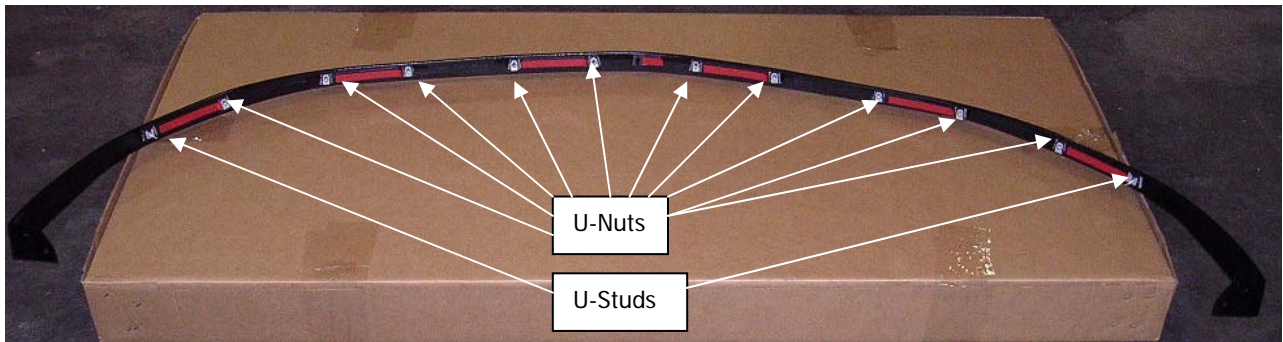


Figure B

## 5. Chin Spoiler Installation

1. Trial fit the Chin Spoiler to the Front Fascia. Install fasteners but DO NOT remove tape protective covering at this time. Verify proper alignment and consistent gapping to fascia surface.
2. After fit is reviewed, remove parts for final assembly.
3. Install Chin Spoiler to Front Fascia.
  - a. Remove 1" section of the tape backing from each Tape Strip creating a pull tab for easy removal with Chin Spoiler in installed position.
  - b. Position Chin Spoiler to Fascia and verify proper alignment.
  - c. Install the supplied 10 Screws and 2 Nuts to the backside of Fascia to support the Chin Spoiler at the attachment points identified in Figure B. **Torque fasteners to 1.5 Nm.**
  - d. If the Chin Spoiler fit to the Fascia has waves at attachment points (Refer to Figure B.), back fastener torque off till waves are gone.
  - e. Remove protective covering from Tape Strips by pulling tabs.
  - f. Apply pressure to taped area to secure bond.

4. Install Chin Spoiler wheel opening fasteners.
  - a. Place Corner Spacer (one per side) between Chin Spoiler and Front Fascia (Refer to Figure C). Hold in place and use the existing 7 mm holes on Chin Spoiler to drill through the Spacer and Front Fascia.
  - b. Use Scrivets and Corner Spacers (2 each) to fasten the Spoiler to the Fascia Return Flange.

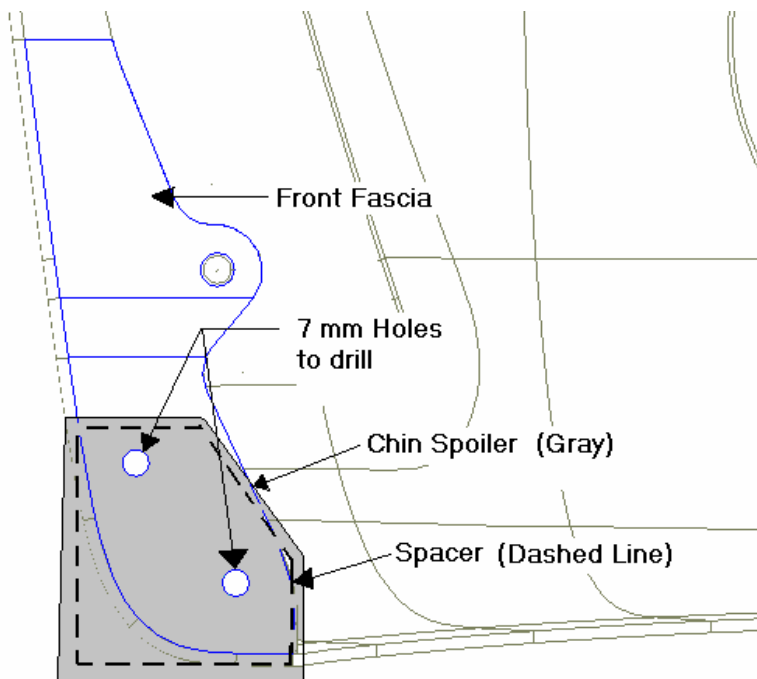


Figure C

**Congratulations!!!** You have completed the installation of the ROUSH Performance Products, Chin Spoiler Kit. It is recommended that you save all parts removed from your vehicle during the installation of this kit.



## **WARRANTY**

All retail parts carry a 90-day warranty from the date of purchase. This warranty covers defects in materials or workmanship, and does not include (i) normal wear and tear, environmental conditions, improper installation; (ii) road hazards, misuse, abuse, neglect, accidents, collision, fire, theft, freezing, vandalism, riot, explosion, or objects striking the vehicle; (iii) misusing the vehicle, such as driving over curbs, overloading, racing, or using the vehicle as a stationary power source; (iv) altering, disassembling or modifying the parts; (v) defects caused or induced by failures, breakdowns, or damage by other parts, components or the vehicle; (vi) subjecting the parts to excessive moisture or water or any motor vehicle fluids (e.g.: oil, anti-freeze, battery acid, brake fluid, etc.); (vii) acts of God, natural disasters and other similar causes beyond the reasonable control of ROUSH; or (viii) application of chemicals that affect the parts. This Limited Warranty does not cover surface deterioration of paint, trim, and appearance items that result from use and/or exposure to the elements, such as stone chips, scratches, bird droppings, lightning, hail, windstorm, dings, dents, earthquake, road salt, tree sap, water or flood.

ROUSH SHALL NOT BE LIABLE TO REIMBURSE CUSTOMER/DEALER FOR INCIDENTAL OR CONSEQUENTIAL DAMAGES RESULTING FROM THE INSTALLATION OR USE OF ANY PRODUCT SOLD THROUGH THIS CATALOG OR ARISING OUT OF ANY BREACH OF WARRANTY. EXCEPT AS MAY BE STATED IN THIS CATALOG, ROUSH DISCLAIMS ALL EXPRESS AND IMPLIED WARRANTIES, INCLUDING THE WARRANTIES OF MERCHANTABILITY AND FITNESS FOR A PARTICULAR PURPOSE. IN NO EVENT SHALL ROUSH'S LIABILITY EXCEED THE PRICE PAID BY CUSTOMER/DEALER FOR PRODUCTS SOLD REGARDLESS IF ROUSH HAS BEEN ADVISED IN ADVANCE OF ANY POTENTIAL PROBLEM OR IF A CLAIM IS BASED ON CONTRACT, TORT, STRICT LIABILITY, PRODUCT LIABILITY OR OTHERWISE. SOME STATES DO NOT ALLOW THE EXCLUSION OR LIMITATION OF IMPLIED WARRANTIES OR THEIR DURATION, OR LIABILITY FOR INCIDENTAL OR CONSEQUENTIAL DAMAGES, SO THE ABOVE EXCLUSIONS OR LIMITATIONS MAY NOT APPLY.