



TO: All Dealers and Installers

Date: May 30, 2018

SAFETY RECALL NOTICE – RECALL # 18E035

SUBJECT: SAFETY RECALL NOTICE - Roush Performance Products 2018 Mustang Supercharger Kit
Part No. R1318-6006P1-AA Fuel Rail Subassembly

AFFECTED EQUIPMENT:

Roush Performance Products, Inc. (“Roush”) has determined that a defect which relates to motor vehicle safety exists in certain ROUSH 2018 Mustang Supercharger replacement equipment kits manufactured prior to April 23, 2018 that were sold for installation on MY 2018 Ford Mustangs.

REASON FOR THIS SAFETY RECALL:

The fuel rail subassemblies in the covered 2018 Supercharger kits were manufactured out of specification, and the fuel line hoses may be damaged where they attach to the fuel rail’s hose barb fitting. A damaged fuel line could leak, which may result in a fire.

REMEDIAL ACTION:

- 1) For vehicles in which a Roush 2018 Supercharger kit has been installed, the remedy for this condition will consist of removing the existing fuel rail subassemblies and replacing them with new fuel rail subassemblies, at no charge to the vehicle owner. You should destroy the removed fuel rails and fuel hoses by cutting each in half. You should also provide Roush with photographic evidence of the destruction.
- 2) For uninstalled kits in your possession, Roush will supply you with replacement fuel rail subassemblies at no cost to you. You do not have to destroy the removed fuel rail subassemblies. Rather, you should return those fuel rail subassemblies to Roush at Roush’s cost.

The initial replacement fuel rail subassemblies are anticipated to start becoming available during the week of May 29, 2018 with all estimated replacement deliveries culminating during the week of June 25, 2018.

IT IS A VIOLATION OF FEDERAL LAW TO SELL OR DELIVER A NEW OR USED SUPERCHARGER KIT COVERED BY THIS NOTIFICATION UNTIL THE DEFECT IS REMEDIED BY REPLACING THE DEFECTIVE FUEL RAIL ASSEMBLIES.

SOLD KITS:

For any vehicle(s) on which you installed a covered 2018 Supercharger kit and have not yet advised Roush of the vehicle identification number (VIN) of the vehicle(s) and the name and address of the current owner(s), please call Roush at **800-59-ROUSH (1-800-597-6874)** and provide us with that information (if you know it) so we may contact them about this recall.

OWNER REFUNDS:

Refunds or reimbursements are not authorized for this program.

RENTAL VEHICLES:

The use of rental vehicles is authorized for this program.

ADDITIONAL LABOR TIME:

- If a condition exists that requires additional labor time to complete the repair, call the ROUSH Warranty Department to request approval **before** performing any additional labor. Requests for approval after completion of the repair will not be granted.
- If you encounter aftermarket equipment or modifications to the vehicle which might prevent the repair of the covered condition, call the ROUSH Warranty Department.

CLAIM PREPARATION AND SUBMISSION

IF YOU HAVE ALREADY RECEIVED REPLACEMENT PARTS FROM ROUSH FOR VEHICLE SERVICING, NO FURTHER ACTION IS REQUIRED FOR THOSE PARTS.

In all other cases, Dealer **MUST** obtain an authorization number from ROUSH Warranty by submitting an online Warranty Claim (SEE ATTACHMENT A Instructions) before any vehicle service action and/or replacement of your current recalled inventory. An RMA will be provided through the ROUSH Warranty system once a Warranty case is opened by you. If you are not set up in the ROUSH Warranty system please call ROUSH Warranty at 1-800-59-ROUSH (1-800-597-6874) to begin the warranty process.

LABOR ALLOWANCES:

Description	Labor Operation	Labor Time
Fuel Rail Replacement	Fuel Rail Removal and Installation	2.5 Hours

PARTS REQUIREMENTS / ORDERING INFORMATION:

Please contact ROUSH Warranty and these parts will be provided to you free of charge.

Part Number	Description	Quantity
1318-9F792-AA	Fuel Rail	1

REPAIR PROCEDURE:

Instructions for Replacing ROUSH 2018 Mustang Supercharger replacement equipment kit:

1. Remove both fuel rails from the vehicle according to the Roush fuel rail removal service instructions found at **ATTACHMENT B – Fuel Rail Replacement Instructions**.
2. Once both fuel rails have been removed, install replacement fuel rails into the vehicle according to the Roush fuel rail installation service instructions found at **ATTACHMENT B - Fuel Rail Replacement Instructions**.

QUESTIONS & ASSISTANCE

Questions may be directed to:
ROUSH Warranty Department.....**1-800-59-ROUSH (1-800-597-6874)**

ATTACHMENT A

ROUSH WARRANTY CLAIM INSTRUCTIONS

DEALER INSTRUCTIONS:

- Complete a ROUSH Warranty claim online at www.salesforce.com using your login credentials. (If not signed up for the online warranty system, please contact Roush directly at 1-800-59-ROUSH (1-800-597-6874).)
- Once claim number is populated, the dealer will be sent replacement parts.
- Dealer MUST attach and upload its final invoice to its online warranty case in order to received final payment.

LABOR ALLOWANCES

Description Labor Operation Labor Time

Fuel Rail R&R 2.5 Hours

AFFECTED PART DESCRIPTION:

Fuel Rail 1318-9F792-AA

RENTAL VEHICLES

Rental vehicle (Mid-Size Car) approved while repair of vehicle is completed.

QUESTIONS/ASSISTANCE

Questions may be directed to:

ROUSH® Warranty Department
rppwarranty@roush.com
(800) 59.ROUSH (800-597-6874)

Roush Fuel Rail Replacement Instructions

Fuel Rail Replacement Instructions



Fuel Rail Replacement Instructions

Important Note:

Before installing the ROUSH Performance Product, please read through the installation procedure and verify that all items are present. If you are missing hardware or have any questions, please contact ROUSH Performance at 1-800-59-ROUSH, 9:00 AM to 5:00 PM EST.



Fuel Rail Replacement Instructions

TABLE OF CONTENTS

Equipment and Supplies Required..... 3
Limit of Liability Statement..... 3
Safety Precautions 3
Work Safety! 3
Removal 4
Assembly..... 6

Fuel Rail Replacement Instructions



EQUIPMENT AND SUPPLIES REQUIRED

- 7, 8, 10, 13 and 17 mm Sockets and appropriate Drivers
- Fuel Line Removal Tool
- Pliers

If you are missing any items, please call us toll free at 1-800-59-ROUSH.

LIMIT OF LIABILITY STATEMENT

The information contained in this publication was accurate and in effect at the time the publication was approved for printing and is subject to change without notice or liability. ROUSH Performance Products (RPP) reserves the right to revise the information presented herein or to discontinue the production of parts described at any time.

SAFETY PRECAUTIONS



CAREFULLY READ THE IMPORTANT SAFETY PRECAUTIONS and WARNINGS BEFORE PROCEEDING WITH THE INSTALLATION!

Appropriate disassembly, assembly methods and procedures are essential to ensure the personal safety of the individual performing the kit installation. Improper installation due to the failure to correctly follow these instructions could cause personal injury or death. Read each step of the installation manual carefully before starting the installation.

- Always wear safety glasses for eye protection.
- Place ignition switch in the OFF position.
- Always apply the parking brake when working on a vehicle.
- Block the front and rear tire surface to prevent unexpected vehicle movement.
- If working with a lift, always consult vehicle manual for correct lifting specifications.
- Operate the engine only in well-ventilated areas to avoid exposure to carbon monoxide.
- Do not smoke or use flammable items near or around the fuel system.
- Use chemicals and cleaners in well-ventilated areas.
- Batteries produce explosive gases, which can cause personal injury. Therefore, do not allow flames, sparks or flammable substances to come near the battery.
- Keeps hands and any other objects away from the radiator fan blades.
- Keep yourself and your clothing away from moving parts when the engine is running.
- Do not wear loose clothing or jewelry that can get caught in rotating parts or scratch surface finishes.
- Allow the engine, cooling system, brakes and exhaust to cool before working on a vehicle.

WORK SAFELY!

Perform this installation on a good clean level surface for maximum safety and with the engine turned off.



Fuel Rail Replacement Instructions

REMOVAL

WARNING: Fuel in the fuel system remains under high pressure even when the engine is not running. Before working on or disconnecting any of the fuel lines or fuel system components, the fuel system pressure must be relieved. Failure to do so can result in personal injury.

WARNING: Do not smoke or carry lighted tobacco or open flame of any type when working on or near any fuel-related components. Highly flammable mixtures are always present and can be ignited, resulting in personal injury.

1. Cover both fenders with fender covers to protect the vehicle finish.
2. Disconnect the fuel pump fuse (48 or 49). Start the engine and allow it to idle until it stalls. After the engine stalls, crank the engine for approximately 10 seconds to make sure the fuel injector supply pressure has been released.
3. Remove the cover from the battery and disconnect the (-) negative and (+) positive connections to the battery. Stow the cables out of the way.



4. Remove the SAE quick connectors for the PCV and brake aspirator from the clean air tube.

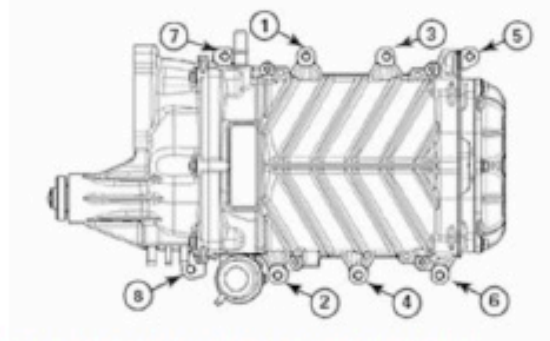
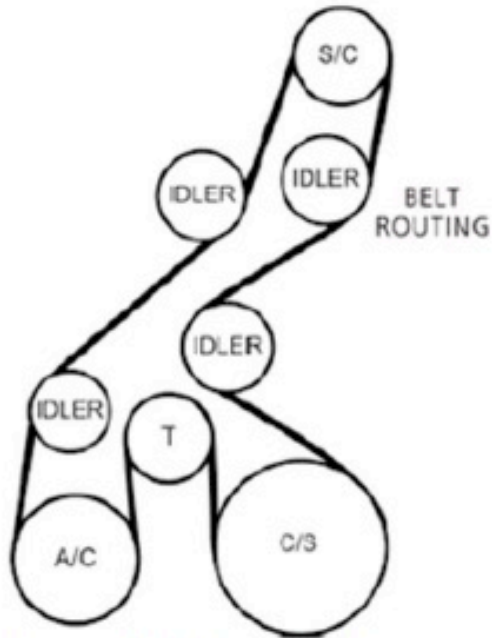


5. Remove the worm drive clamp from the MAP tube and the throttle body.



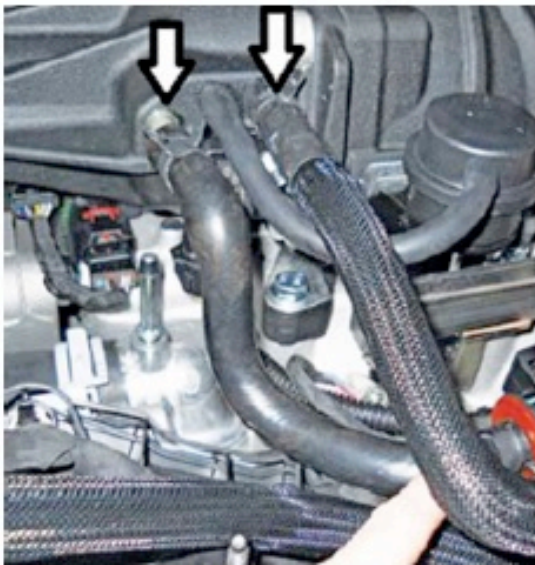
6. Remove the clean air tube from the vehicle.
7. Use a 17 mm socket and rotate the belt tensioner (T) clockwise to remove the belt from the supercharger.

Fuel Rail Replacement Instructions



10. Disconnect the supercharger inlet pressure sensor.

8. Disconnect the fuel vapor line and brake aspirator line from the side of the supercharger.



11. Lift the blower slightly and disconnect the throttle body connector.

9. Remove the 8 bolts that hold the supercharger to the intake manifold.





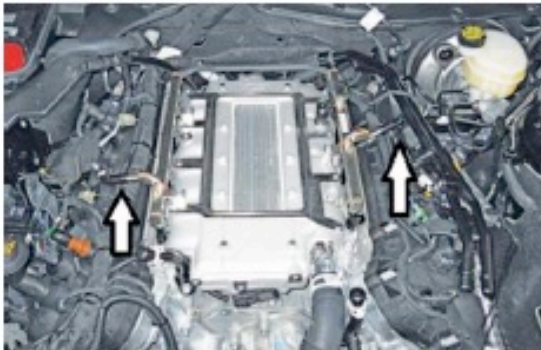
Fuel Rail Replacement Instructions

12. Remove the supercharger from the vehicle.



NOTE: Use a rag to catch any excess fuel during disconnection. Use a cap, tape or other suitable method to block the rail opening from contaminants.

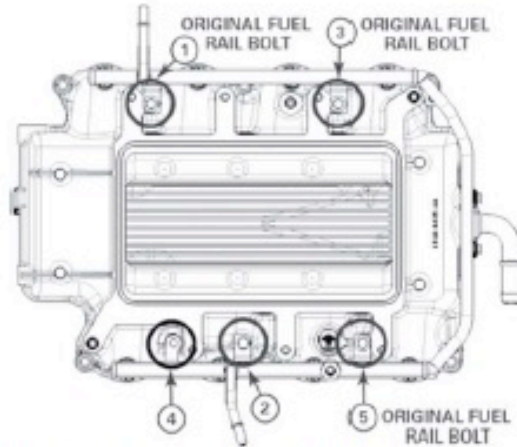
13. Remove the quick connect fittings on both sides of the fuel rail.



14. Disconnect the fuel pressure sensor and fuel injector electrical connectors.



15. Unbolt the five (5) bolts holding the fuel rail.



16. Remove the fuel rail from the vehicle.

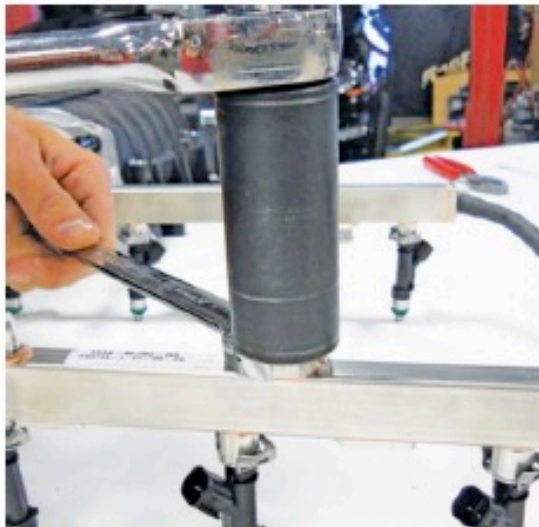
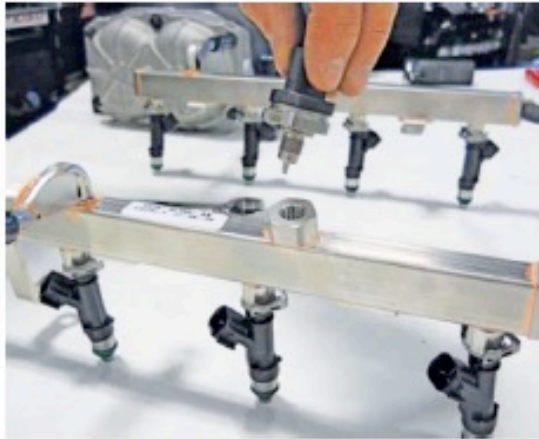


17. Remove the fuel pressure sensor, injectors and the injector clips from the fuel rail.

ASSEMBLY

1. Install the pressure sensor in the new fuel rail. Hold the nut with a 19 mm wrench and use a 27 mm socket to tighten in two (2) stages as follows.
Stage 1: Torque the sensor to 6 Nm.
Stage 2: Angle tighten the sensor another 25 degrees.

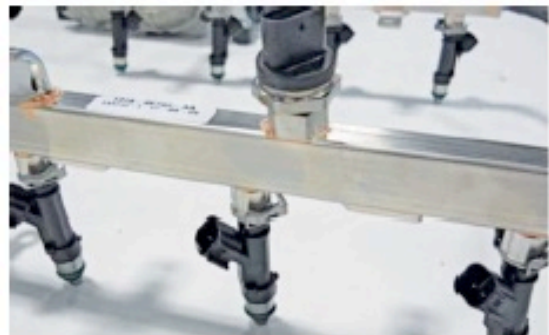
Fuel Rail Replacement Instructions



2. Apply a little engine oil or petroleum jelly to the injector O-rings and install the injectors into the new fuel rail.



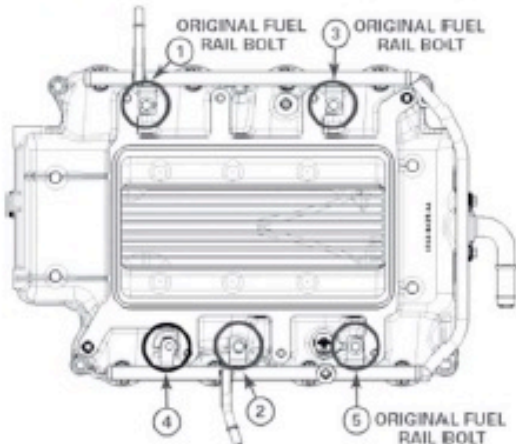
3. Install the injectors onto the new fuel rail and orient them correctly with the injector clips.





Fuel Rail Replacement Instructions

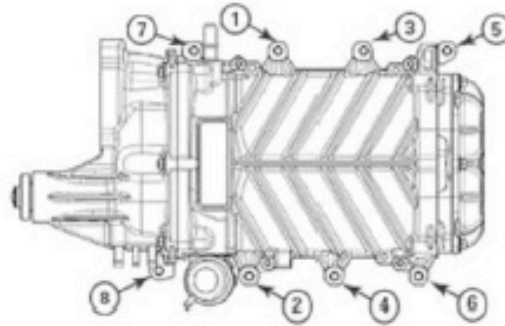
- Install the fuel rail onto the intake manifold. Reinstall the bolts into the correct locations. Tighten the bolts in two (2) stages in the following sequence.
 Stage 1: Torque the bolts to 10 Nm.
 Stage 2: Tighten the bolts an additional 45 degrees.



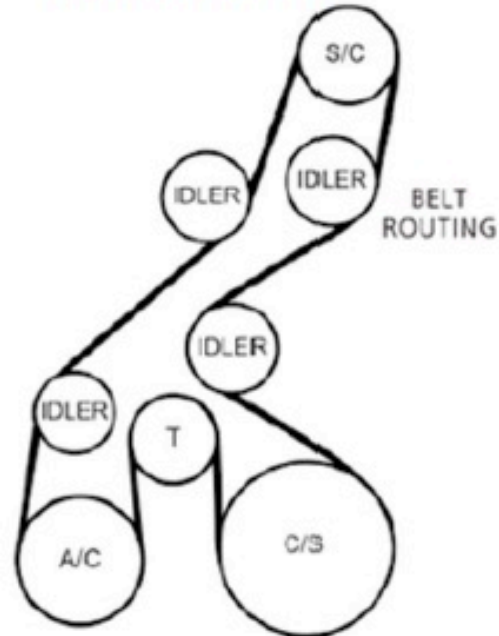
- Connect the eight (8) fuel injectors and the fuel pressure sensor electrical connectors. Connect the fuel inlet line and the fuel outlet lines.
- Verify that the supercharger O-ring is still in the correct position.
- Install the supercharger onto the intake manifold. (Be sure to connect the throttle body harness before lowering the supercharger onto the intake manifold.)



- Reinstall the supercharger-to-intake manifold bolts. Torque to 25 Nm in the sequence shown.



- Verify that the supercharger pulley spins freely. Reinstall the supercharger belt.



- Connect the supercharger inlet pressure sensor electrical connector. Connect the brake aspirator and fuel vapor lines to the ports on the supercharger.

Fuel Rail Replacement Instructions



11. Reinstall the clean air tube. Torque the worm drive clamps to 3 Nm. Connect the brake aspirator and PCV fittings into the clean air tube.



12. Reinstall the (+) positive and negative (-) connections to the battery. Reinstall the battery cover.



13. Reinstall the fuel pump fuse.
 14. Cycle the ignition to the ON position 3 – 4 times and verify there are no leaks.
 15. Start the engine and check for unusual noise, dash service lights, and/or unusual operation. If problems are detected, immediately stop the engine, diagnose and repair the problem.